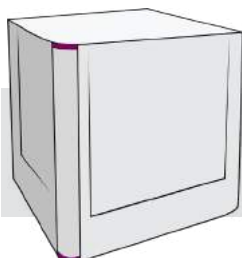


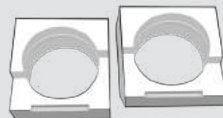
PackshotCreator Mini Mark II
QuickStart
INSTALLATION GUIDE

PackshotCreator Mini Mark II

PACKAGE COMPOSITION



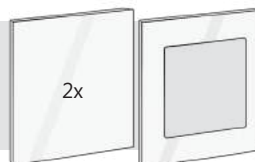
PackshotCreator Mini
Mark II lightbox



2 camera mount
sponges



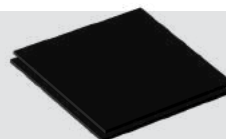
Product Registration Sheet
& Quick Reference Guide



3 acrylic panels



1 power cable



2 black sheets
PVC



1 USB cable

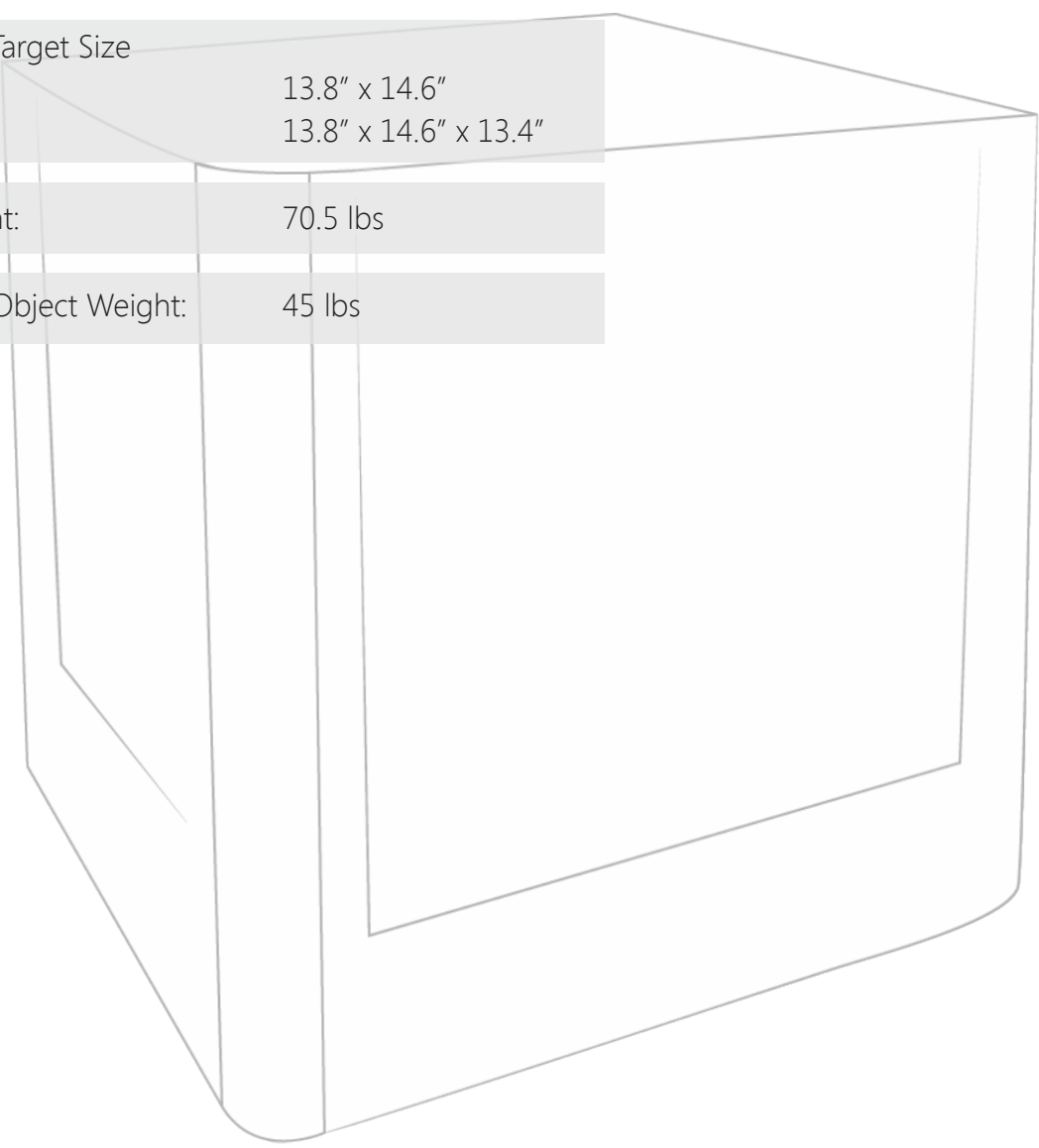
© Sysnext. All rights reserved.

This material is not to be interpreted as a guarantee of earnings and may not be copied, reproduced, modified, published, uploaded, posted or distributed in any way, without PackshotCreator's prior consent.

PackshotCreator Mini Mark II

SPECIFICATIONS

Dimension (L x W x H):	23.6" x 26.3" x 23.3"
Maximum Target Size	
Top Shots:	13.8" x 14.6"
Side Shots:	13.8" x 14.6" x 13.4"
Total Weight:	70.5 lbs
Maximum Object Weight:	45 lbs



CONTACT INFO:

Email: help@packshot-creator.com

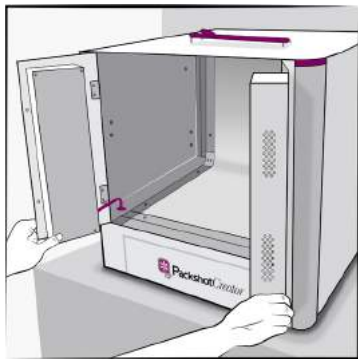
Website: <http://esupport.packshot-creator.com>

PackshotCreator Mini Mark II

HARDWARE INSTALLATION

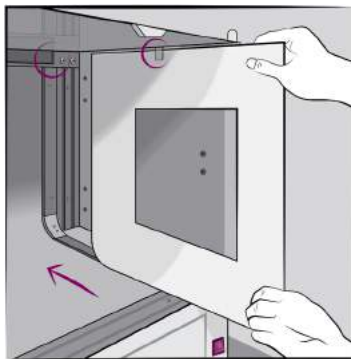
ACRYLIC PANEL INSTALLATION:

01



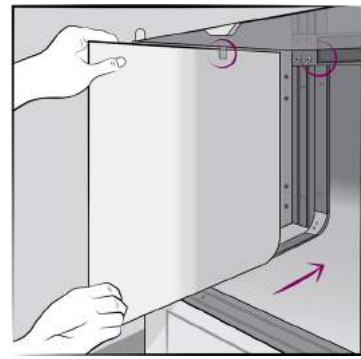
Open the front doors.

02



Three acrylic panels came with the system - two solid and one with an opening. Choose which two panels to use. Place the one with the opening for convenient side loading.

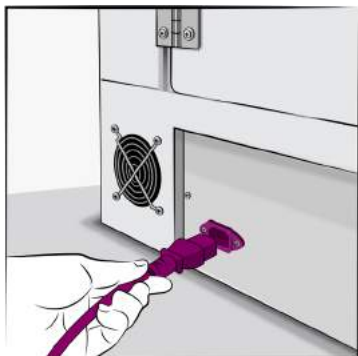
03



Slide in the panels from the front.
Note: When inserting be sure they go through the holding bracket at the top and rest in the available cut outs the aluminum.

CABLE CONNECTION 1/2:

01



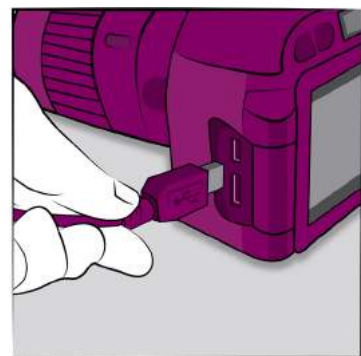
Plug the power into the system. Plug the other end into a power outlet.

02



Plug the USB cord into the system. Plug the other end into a computer, respectively.

03



Connect a compatible camera to your computer by USB.
(Optional): Instead of batteries, we recommend using an AC power adapter to power your camera.

PackshotCreator Mini Mark II

HARDWARE INSTALLATION

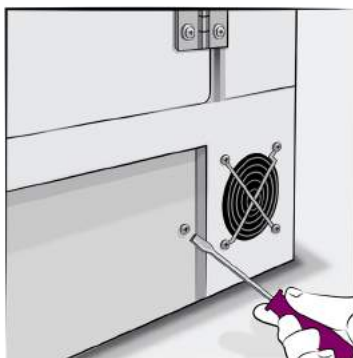
CABLE CONNECTION 2/2:

04



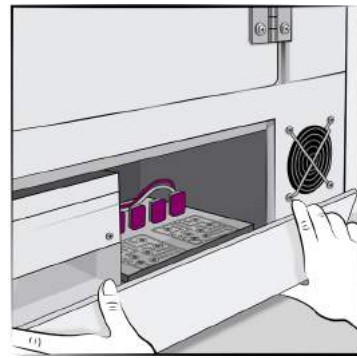
Turn the system power switch to the "ON" position.

05



To access the power supply, unplug the studio and unscrew the bottom white panel.

06



Open the bottom white panel.

PackshotCreator Mini Mark II

LAMP REPLACEMENT

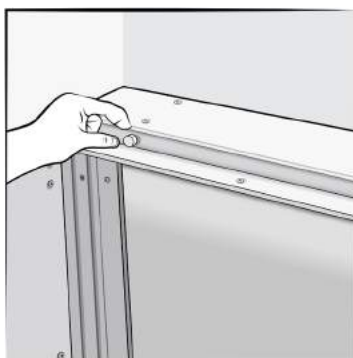
BOTTOM AND BACK LAMPS 1/3:

01



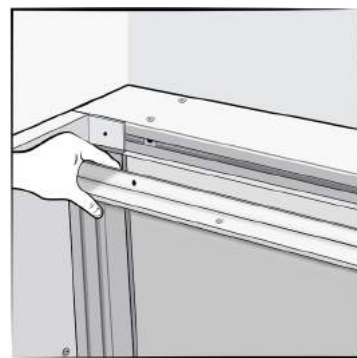
Turn off and unplug the studio from the wall. Remove the 4 white hand screws and take off the top.

02



Remove the two small white hand screws.

03



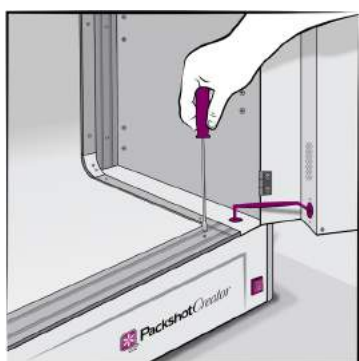
Remove the aluminum angle at the top of the translucent background.

PackshotCreator Mini Mark II

LAMP REPLACEMENT

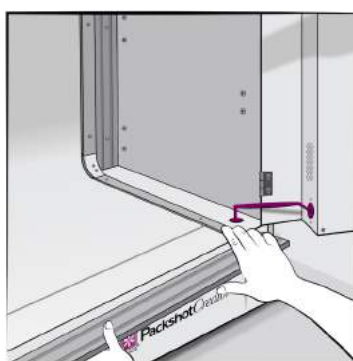
BOTTOM AND BACK LAMPS 2/3:

04



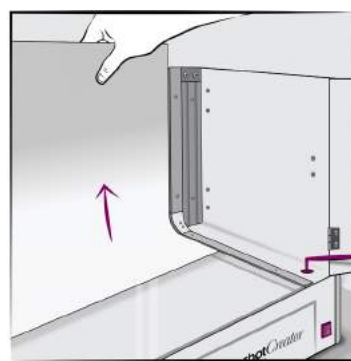
Unscrew the holding bar.

05



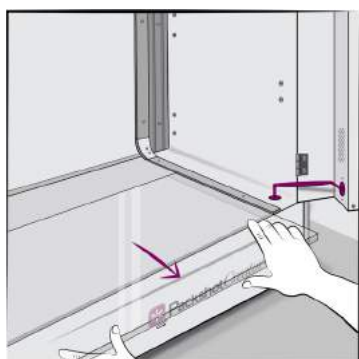
Remove the holding bar.

06



Pull the translucent background out from the top.

07



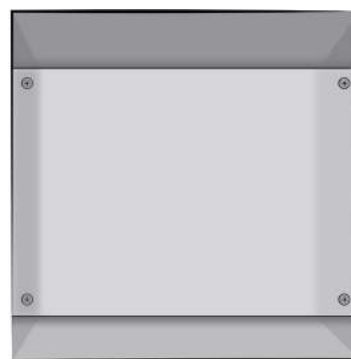
Pull the bottom transparent glass out.

08



Unscrew and remove the front panel.

09



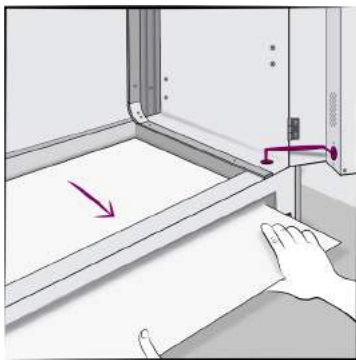
Unscrew the acrylic plate inside the machine.

PackshotCreator Mini Mark II

LAMP REPLACEMENT

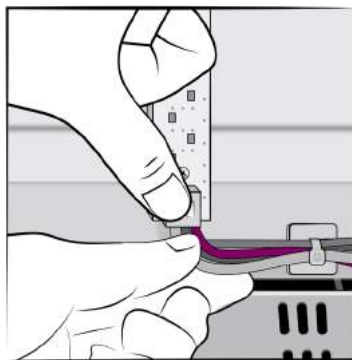
BOTTOM AND BACK LAMPS 3/3:

10



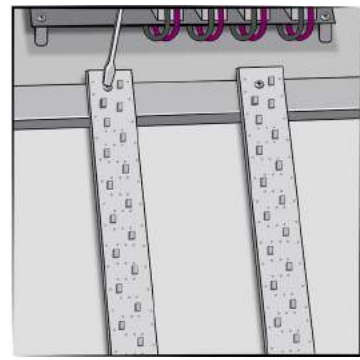
Pull the acrylic plate from the front.

11



Disconnect the two wires by pressing the connector node while pulling the wire out.

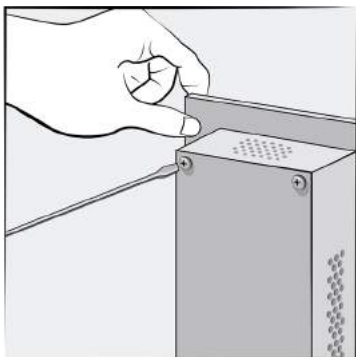
12



Use a Phillips screwdriver to remove the lamp. **Note:** The red wire is V+ and the black wire is V-.

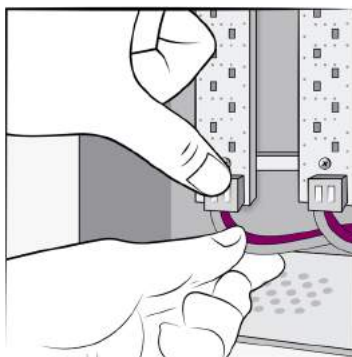
DOOR LAMP:

01



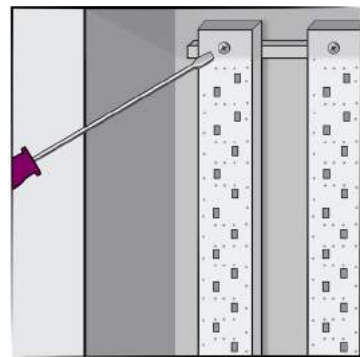
Use a Phillips screwdriver to remove the lamp cover.

02



Disconnect the wires.

03



Unscrew and remove the lamp. **Caution:** Periodically check for and replace any broken LED crystals in the system. If one LED crystal fails, it can cause others in the same set to malfunction.